

Installation Instruction

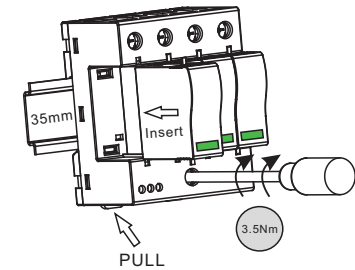
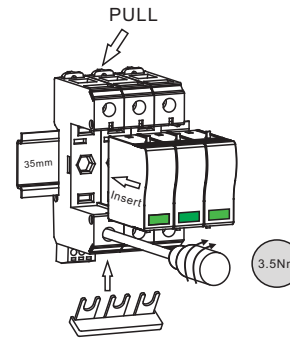
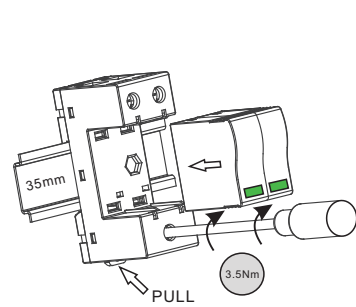
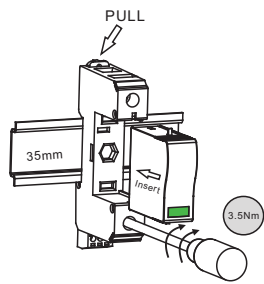
LERDN

LDY-40B+C/1P

LDY-40B+C/2P...1P+N

LDY-40B+C/3P

LDY-40B+C/4P...3P+N



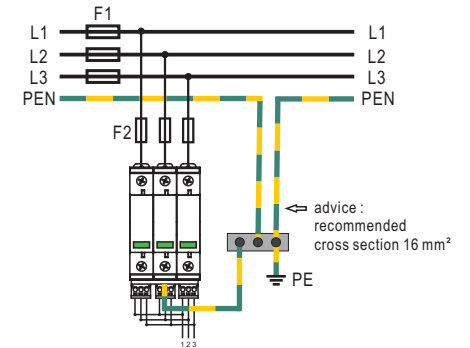
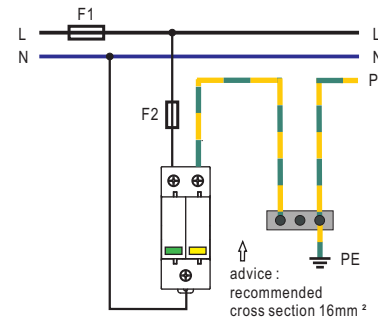
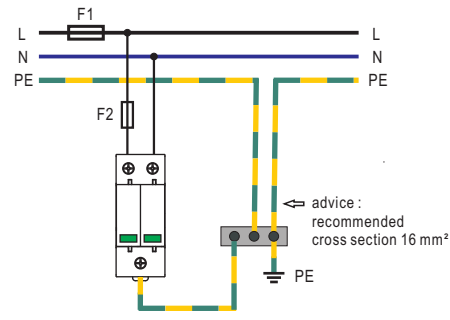
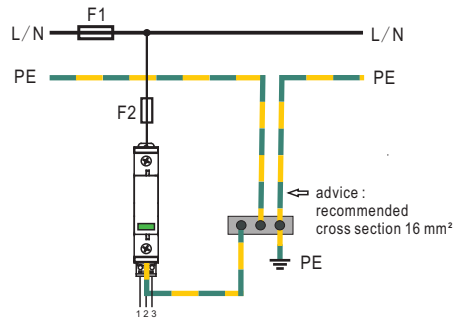
Connections

LDY-40B+C/1P

LDY-40B+C/2P

LDY-40B+C/1P+N

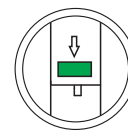
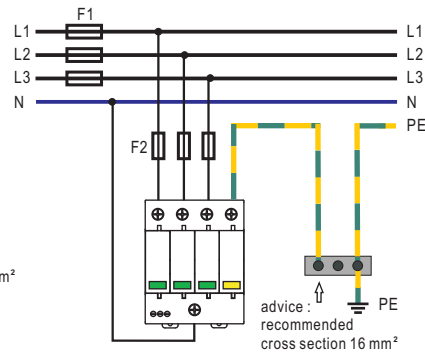
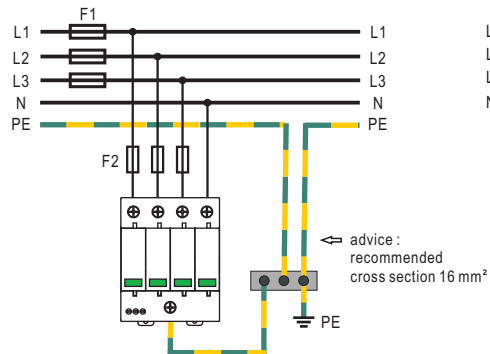
LDY-40B+C/3P



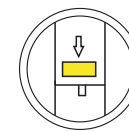
LDY-40B+C/4P

LDY-40B+C/3P+N

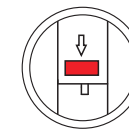
Fault Indication



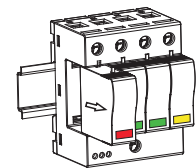
Green : OK



Yellow : OK

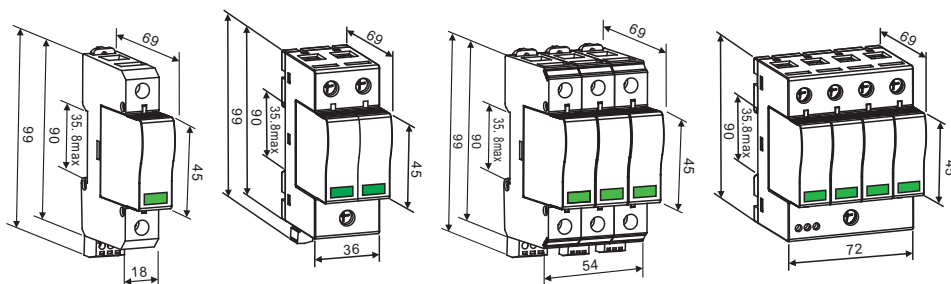


Red : Fault (Replace)



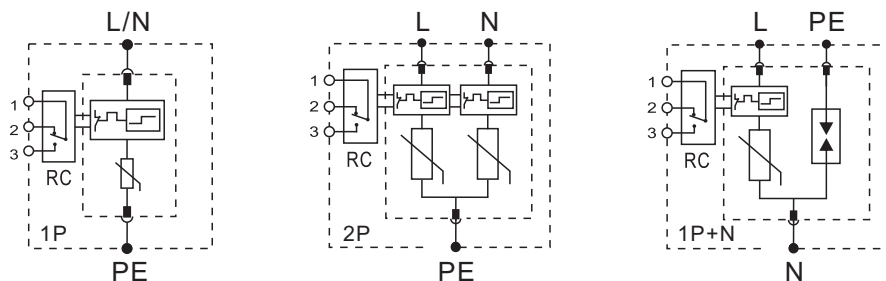
Dimensions

LDY-40B+C/R/1P...2P...1P+N...3P...4P...3P+N



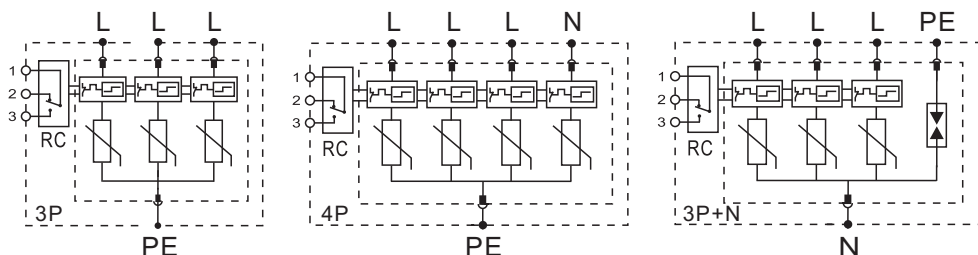
Connection diagram

LDY-40B+C/R/1P...2P...1P+N



Connection diagram

LDY-40B+C/R/3P...4P...3P+N



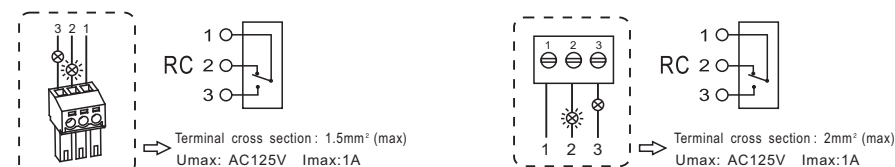
Backup fuse/circuit-breaker

Fuse		Circuit-breaker	
$F1 > 125A_{gL} \Leftrightarrow F2 = 125A_{gL}$		$F1 > 63A \Leftrightarrow F2 = 63A$	
$F1 \leq 125A_{gL} \Leftrightarrow$		$F1 \leq 63A \Leftrightarrow$	

Technical data

Type	LDY-40B+C					N-PE
In Accordance with	IEC 61643-1					IEC 61643-1
Max. continuous operating voltage $U_{c\sim}$	150V	275V	320V	385V	420V	255V
Voltage Protection Level U_p	<1.8kV	<2.2kV	<2.4kV	<2.5kV	<2.5kV	<1.8kV
Residual Voltage at 5kA (8/20) U_{res}	<0.8kV	<1.0kV	<1.1kV	<1.2kV	<1.2kV	<0.3kV
Nominal Discharge Current (8/20) I_n	40kA					40kA
Max. Discharge Current (8/20) I_{max}	80kA					80kA
Follow Current (at 50/60Hz) I_f	NO					100ARMS
Response Time t_A	< 25ns					< 100ns
Thermal Protection	YES					NO
Back-up Fuse (if mains > 125A)	125A gL					—
Frequency	50Hz to 60Hz					
Maximum Screw Torque	Max 4.0Nm					
Temperature range	-40°C ~ +80°C					
Terminal Cross Section	Max 35mm ² (solid) / 25mm ² (stranded), advice: 16mm ²					
Din Rail EN60715	35mm top-hat rail					
Protection Rating	IP 20					
Housing Material	thermoplastic; extinguishing degree UL 94 V-0					
Dimensions DIN 43880	1TE/2TE/3TE/4TE					
LPZ	LPZ0 → LPZ1 LPZ1 → LPZ2					
Requirement Class to IEC61643-1	Class I+Class II (T2)					
Relative Humidity	≤ 95% Non-condensing fog					
Maximum Operating Altitude	3000m					

Remote Contacts



LDY-40B+C/R/1P...2P...1P+N...3P

LDY-40B+C/R/4P...3P+N

How to name our products

www.lerdn.com

Example: **LDY - 40 B+C / R / 4P - 385**

LERDN | In | Combination | Uc

Remote contacts

Class I+Class II (T2)

